

Application Security Audit with System Audit Properties



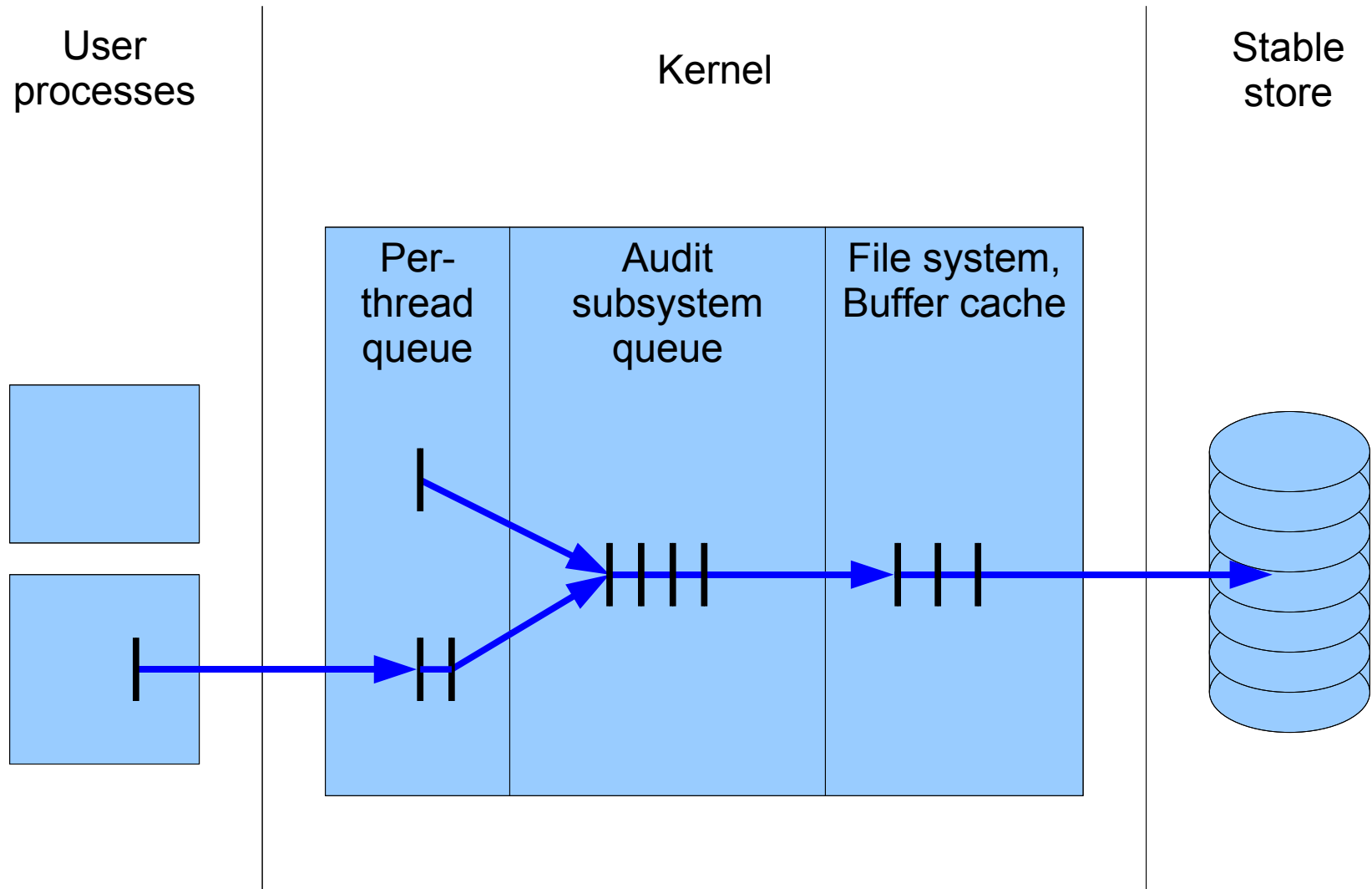
Robert N. M. Watson

Security Research
Computer Laboratory
University of Cambridge

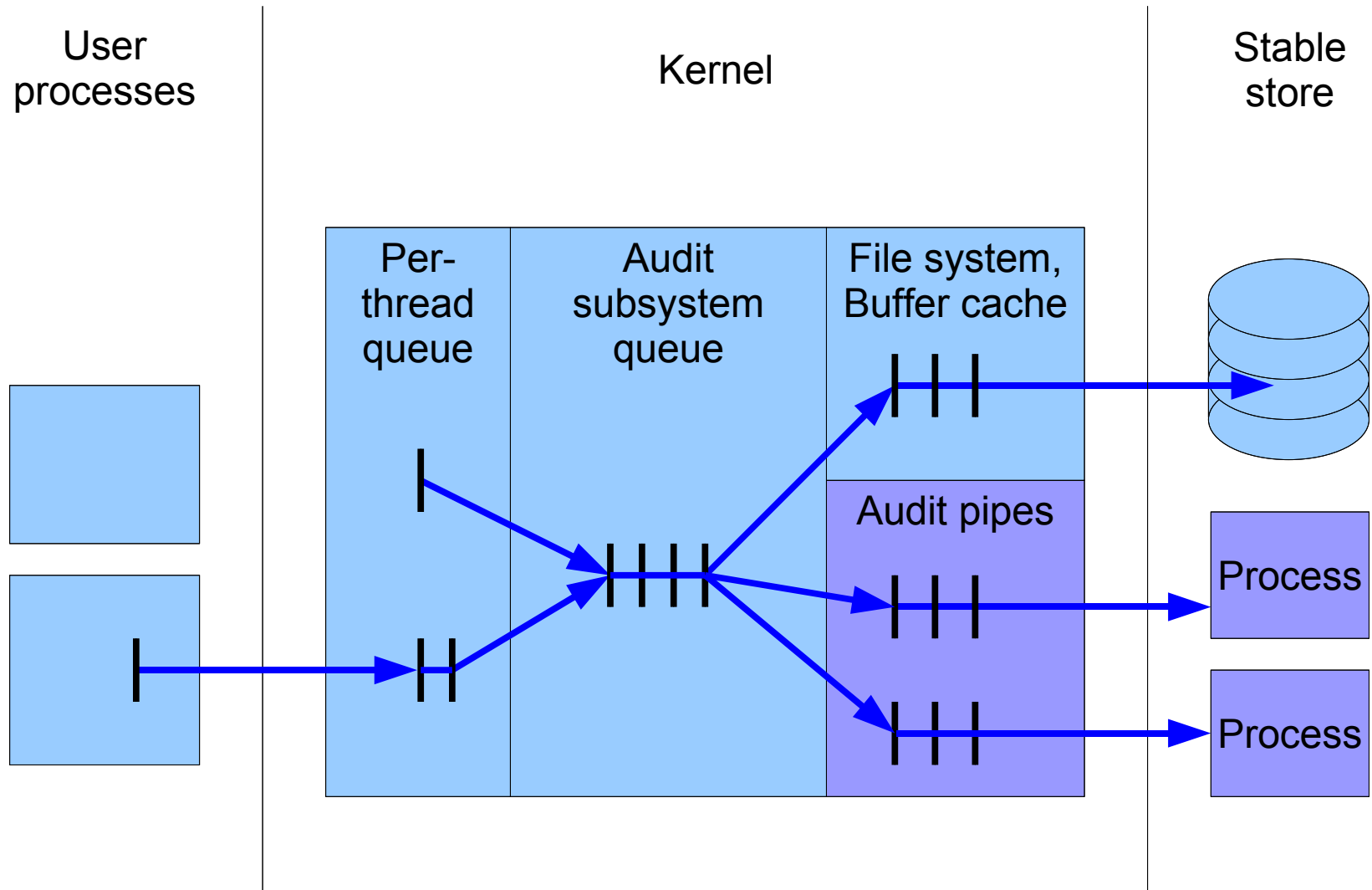
FreeBSD Project

May 19, 2007

Audit Queuing: Traditional



Audit Queuing: With Pipes



Audit Queuing: Per-Application Trails

